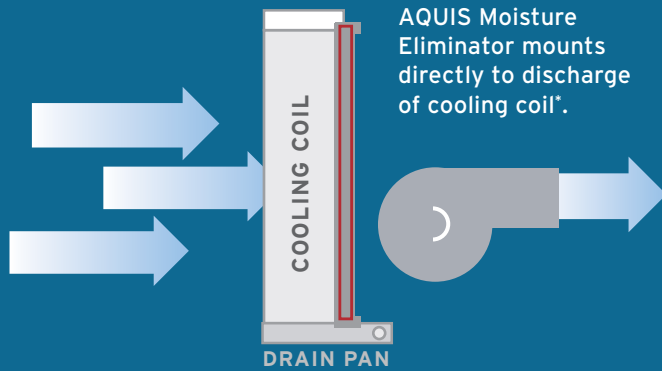


AQUIS Moisture Eliminator

Custom-built and installed by AQUIS, no other moisture removal system offers our combination of high performance and low air pressure drop. Our innovative design allows chilled or fresh air to move freely through our specialized mesh, without an increase in fan horsepower. Plus, the slim profile generally requires no complicated retrofitting. From installation to operation, you'll see efficiency and savings.

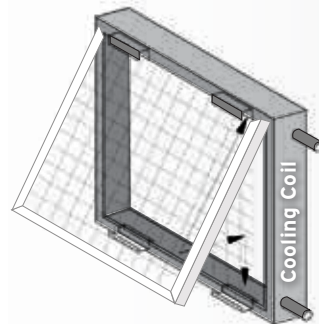


*Also suitable for air intake applications.

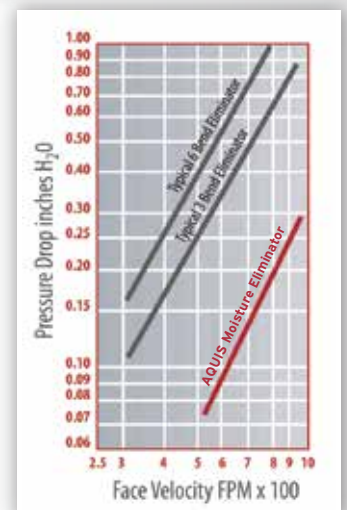


Benefits

- The AQUIS Moisture Eliminator removes 99% of water droplets at 500 FPM, with pressure drop no greater than 0.1"
- Eliminates carryover moisture that leads to standing water, corrosion, pathogenic growth and saturated filters
- Compact design installs with as little as 2" clearance, allows full access to drain pan
- Type 304 stainless steel construction withstands harshest environments, requires minimal maintenance
- Superior to three-bend and six-bend systems with lower cost, higher performance and easier maintenance



Bracket mounts for easy installation and removal for cleaning of moisture eliminators or cooling coils.



Take the first step towards extending the life of your air handlers...

Call: 888-494-1191 (toll free) • E-mail: sales@aquissolutions.com • Visit: aquissolutions.com

